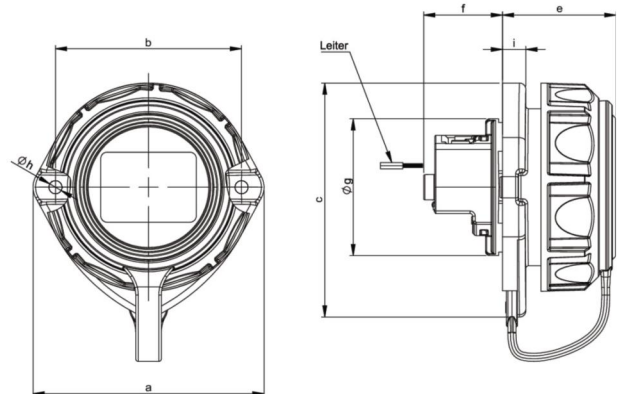


PCE data sheet

article#	20351-9b
article description	Flanged socket oval w. cover band IP68
description long	
GTIN (EAN)	9003399023972
country of origin	AT
customs number	85366990
net weight	0.087 kg
packaging quantity	10

ETIM 7.0	EC001325
Model	Protective contact (SCHUKO)
Material	Plastic
Material quality	Thermoplastic
Flange size	Other
With hinged lid	True
For heavy conditions (in accordance with VDE)	True
Degree of protection (IP)	IP68
Angle of plug	Straight
Connection system	Screwed terminal
Colour	Blue
Number of poles	3
Nominal current	16 A
Nominal voltage	250 V



www.manufacturer-safety.info