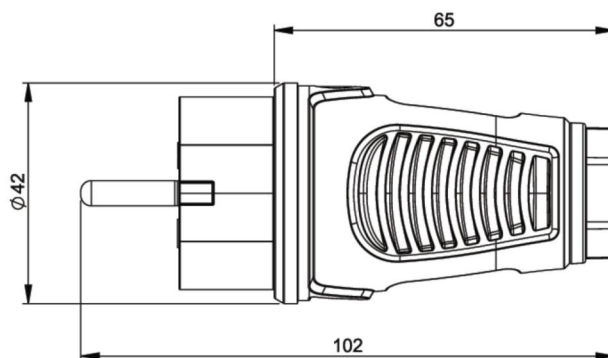
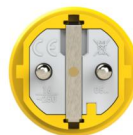


PCE data sheet

| | |
|------------------------|--|
| article# | 0511-es |
| article description | Taurus2 rubber plug nat IP54 (yellow/black) |
| description long | Safety plug series Taurus2 - rubber color (housing/ring): yellow/black material (housing/contact carrier): TPE/PA6 earthing system: Austrian/German 16A / 250V AC / 3p (2P+E), protection rating: IP54 |
| GTIN (EAN) | 9003399470318 |
| country of origin | AT |
| customs number | 85366990 |
| net weight | 0.068 kg |
| packaging quantity | 30 |
| minimum order quantity | 500 |

| | |
|---|-----------------------------|
| ETIM 8.0 | EC000242 |
| Model | Protective contact (SCHUKO) |
| Material | Rubber |
| Material quality | Thermoplastic |
| For heavy conditions (in accordance with VDE) | True |
| Degree of protection (IP) | IP54 |
| Angle of plug | Straight |
| Connection system | Screwed terminal |
| Colour | Yellow |
| Number of poles | 3 |
| Nominal voltage | 250 V |
| Nominal current | 16 A |

| | |
|--------------------|--------------------------|
| K (cable Ø) | 6-13 mm |
| wire flexible | 0,75-2,5 mm ² |
| contact screws | 80 Ncm |
| strain relief | 110 Ncm |
| dismantling length | 30 mm |
| stripping length | 7 mm |



<https://www.pcelectric.at/shop/en/?func=detail&artnr=0511-es>



www.manufacturer-safety.info