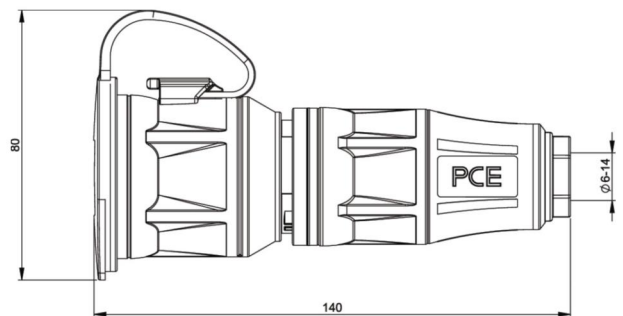


PCE data sheet

article#	25731-sr
article description	Safety connector cap nat LED IP54 red series TopTaurus2
description long	Safety connector series TopTaurus2 with cap color: black-red, material: PA6 2-component rubberized screwless quick lock system for housing cover and strain relief LED voltage indicator earthing system: Austrian/German 16A / 250V AC / 3p (2P+E), protection rating: IP54
GTIN (EAN)	9003399487217
country of origin	AT
customs number	85366990
net weight	0.128 kg
packaging quantity	10
minimum order quantity	10

ETIM 7.0	EC001327
Model	Protective contact (SCHUKO)
Material	Plastic
For heavy conditions (in accordance with VDE)	True
Degree of protection (IP)	IP54
Angle of plug	Straight
Connection system	Schraubklemme
Suitable for protective contact pin	False
Colour	Red
Number of poles	3
Nominal voltage	250 V
Nominal current	16 A

K (cable Ø)	6-14 mm
SW	21 mm
wire flexible	1-2,5 mm ²
contact screws	80 Ncm
strain relief	400 Ncm
dismantling length	30 mm
stripping length	7 mm



www.manufacturer-safety.info