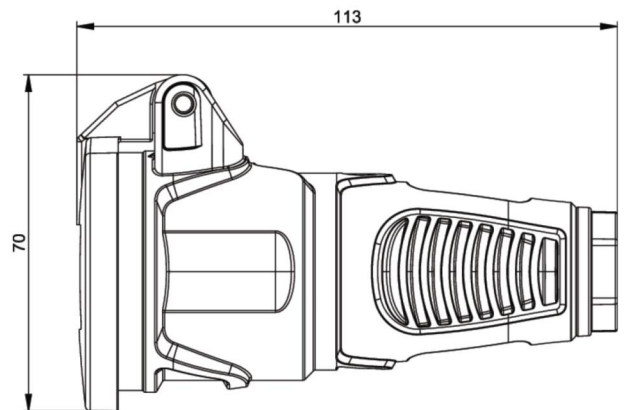


PCE data sheet

| | |
|------------------------|--|
| article# | 2522-ss |
| article description | Taurus2 solid rubber safety connector lid nat IP54 (black) |
| description long | Safety connector series Taurus2 - solid rubber with hinged lid color (housing/ring/cover): black/black/black material (housing/contact carrier): TPE/TPE earthing system: Austrian/German 16A / 250V AC / 3p (2P+E), protection rating: IP54 |
| GTIN (EAN) | 9003399469138 |
| country of origin | AT |
| customs number | 85366990 |
| packaging quantity | 20 |
| minimum order quantity | 200 |

| | |
|---|-----------------------------|
| ETIM 7.0 | EC001327 |
| Model | Protective contact (SCHUKO) |
| Material | Full rubber |
| Material quality | Thermoplastic |
| For heavy conditions (in accordance with VDE) | True |
| Degree of protection (IP) | IP54 |
| Angle of plug | Straight |
| Connection system | Screwed terminal |
| Colour | Black |
| Number of poles | 3 |
| Nominal voltage | 250 V |
| Nominal current | 16 A |

| | |
|--------------------|-----------------------|
| K (cable Ø) | 6-13 mm |
| wire flexible | 1-2,5 mm ² |
| contact screws | 80 Ncm |
| strain relief | 110 Ncm |
| dismantling length | 30 mm |
| stripping length | 7 mm |



www.manufacturer-safety.info